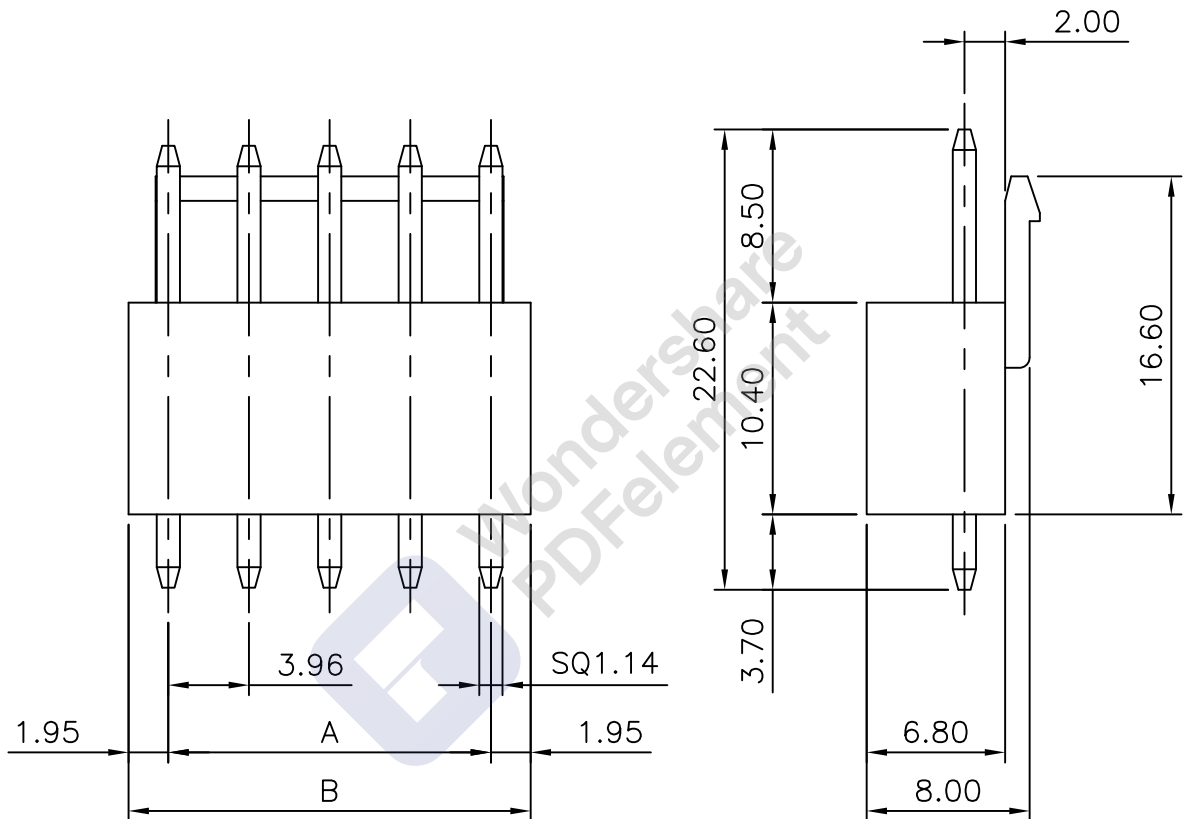
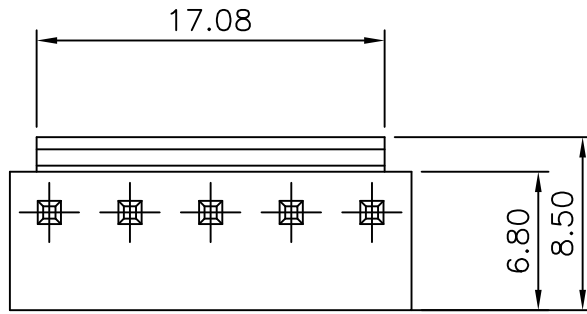


REV No.	REVISION NOTE	DATE	DESIGNED	CHECKED	CHECKED	APPROVED
△	치수 오기입으로 인한 수정	2001.2.13				



PART NO.	A	B	PART NO.	A	B
GW 396-02G	3.96	7.86	GW 396-08G	27.72	31.62
GW 396-03G	7.92	11.82	GW 396-09G	31.68	35.58
GW 396-04G	11.88	15.78	GW 396-10G	35.64	39.54
GW 396-05G	15.84	19.74			
GW 396-06G	19.80	23.70	GW 396-(3-2)G	7.92	11.82
GW 396-07G	23.76	27.66	GW 396-(5-3)24G	15.84	19.74

WAFER		NY66		NATURAL	
No.	DESCRIPTION	MATERIAL	Q'ty	TREATMENT	REMARKs
ITEM NAME	GW396-00G	DWG NAME	WAFER	SCALE	1 / 1
MODEL		DWG No.		DATE	2015.06.22
DESIGNED	CHECKED	CHECKED	APPROVED	FILE No.	
				REF' DWG	